

Reducing and converting flanges Series C4 40 - C4 35

Allows flanges with different DN or drilling templates to be connected.



Description

- Made of cast iron or steel.
- Single or double pinning to DN.
- Corrosion protection:
 - Blue epoxy powder coating,
 - Galvanised bolts protected with end caps.
- Compliant with ISO 7005-2 and NF EN 545.
- Certification:
 - French Sanitary Compliance Certificate (A.C.S.).
 - WRAS/KTW approved coating.

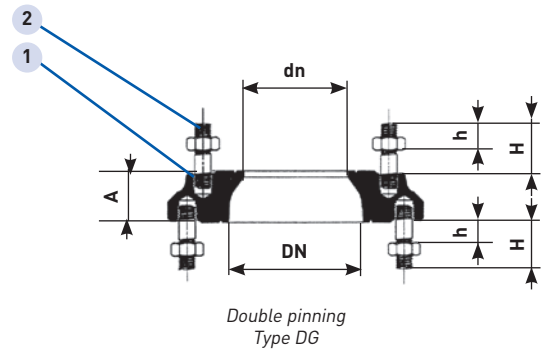
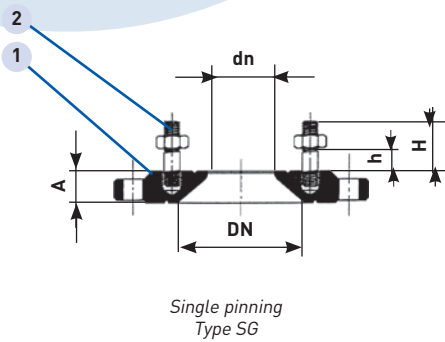
Technical data

- Reducing or converting flanges - Series C4 40:
 - DN 60 to 150 PN 16,
 - DN 200 to 400 PN 10,
 - ISO PN 10 connection as standard
 - Stainless steel bolts on request.
- Round flanges - Series C4 35:
 - ISO PN 10 connection,
 - Cast iron blank flanges: DN 40 to 400,
 - Steel drilled flanges: DN 40 to 400,
 - Threaded flanges for gas: DN 50 to 100,
 - Metric threaded flanges: DN 40 to 200.
- Operating temperatures: +0° to +60°C.

Applications

- Water transport and distribution.
- Pumping, treatment, storage.
- Fire protection networks.
- Irrigation networks.
- Sewage and rainwater drainage networks (type WC - NF EN 681-1).

Reducing or converting flanges - Series C4 40



Item	Description	Qty	Materials	Standards
1	Body to DN	1	Cast iron GS/EN-GJS-400-15 Cast iron GL/EN-GJL-250 Steel S235JR	NF EN 1563 NF EN 1561 NF EN 10025
2	Bolts	acc/DN	Stainless steel class 6.8 or 8.8	

Reducing flange ISO PN 10* (ISO PN 16 DN ≤ 150)

DN X dn*	Pinning* Type	A mm	Pins side DN		Pins side dn		Weight kg
			Qty x Ø H	h	Qty x Ø H	h	
50x40	DG	46	4xM16-50	12	4xM16-50	12	5.1
60x40	DG	46	4xM16-50	12	4xM16-50	12	4.6
60x50	DG	46	4xM16-50	12	4xM16-50	12	5.6
65x60	DG	47	4xM16-50	12	4xM16-50	12	5.1
80(4h)x40	DG	30	4xM16-50	12	4xM16-50	12	5.1
80(8h)x40	DG	30	8xM16-50	12	4xM16-50	12	5.1
80(8h)x50	DG	28	8xM16-50	12	4xM16-50	12	5.6
80(4h)x60	DG	52	4xM16-50	12	4xM16-50	12	5.9
80(8h)x60	DG	29	8xM16-50	12	4xM16-50	12	5.4
80(4h)x65	DG	52	4xM16-50	12	4xM16-50	12	5.9
80(8h)x65	DG	28	8xM16-50	12	4xM16-50	12	5.4
100x40	SG	30			4xM16-50	12	5.2
100x50	DG	27	8xM16-50	12	4xM16-50	12	6.6
100x60	DG	30	8xM16-50	12	4xM16-50	12	6.5
100x65	DG	30	8xM16-50	12	4xM16-50	12	6.5
100x80(4h)	DG	30	8xM16-50	12	4xM16-50	12	6.9
100x80(8h)	DG	47	8xM16-50	12	8xM16-50	12	8.4
125x60	SG	32			4xM16-50	12	6.7
125x60	DG	30	8xM16-50	12	4xM16-50	12	8.2
125x80(4h)	DG	29	8xM16-50	12	4xM16-50	12	8.5
125x80(8h)	DG	29	8xM16-50	12	8xM16-50	12	9.0
125x100	DG	30	8xM16-50	12	8xM16-50	12	9.2
150x60	SG	30			4xM16-50	12	11.0
150x65	SG	30			4xM16-50	12	10.8
150x80(4h)	SG	29			4xM16-50	12	11.4
150x80(8h)	SG	27			8xM16-50	12	8.9
150x100	DG	29	8xM20-60	14	8xM16-50	12	11.1
150x125	DG	58	8xM20-60	14	8xM16-50	12	13.2
200x60	SG	26			4xM16-50	12	16.8
200x80(4h)	SG	27			4xM16-50	12	13.1
200x80(8h)	SG	45			8xM16-50	12	15.7
200x100	SG	28			8xM16-50	12	12.8
200x125	SG	31			8xM16-50	12	14.6
200x150	DG	32	8xM20-60	14	8xM20-60	14	16.5
200x175	DG	57	8xM20-60	14	8xM20-60	14	15.0
250x100	SG	31			8xM16-50	12	21.9
250x150	SG	33			8xM20-60	14	24.9
250x200	DG	33	12xM20-60	14	8xM20-60	14	21.4
300x200	SG	33			8xM20-60	14	28.9
300x250	DG	32	12xM20-60	14	12xM20-60	14	26.2
350x300	DG	38	16xM20-60	14	12xM20-60	14	41.0
400x200	SG	38			8xM20-60	14	46.2
400x250	SG	38			12xM20-60	14	40.3
400x300	SG	39			12xM20-60	14	39.8
400x350	DG	40	16xM24-70	16	16xM20-60	14	39.8

*Other diameters, PN and pin length: contact us

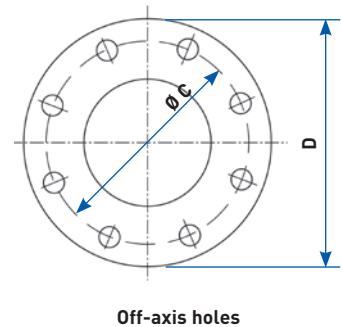
Converting flange - Double pinning

DN/dn	A mm	Pins side dn		Pins side DN		Weight kg
		Qty x Ø H	h	Qty x Ø H	h	
80 8 holes/4 holes	28	8xM16-50	12	4xM16-50	12	5.5
100 PN25/16	50	8xM20-60	14	8xM16-50	12	15.0
150 PN25/16	41	8xM24-70	16	8xM20-60	14	27.9
200 PN16/10	32	12xM20-60	14	8xM20-60	14	13.3
200 PN25/10	50	12xM24-70	16	8xM20-60	14	37.0
250 PN10/16	66	12xM24-70	16	12xM20-60	14	35.2
300 ISO PN10/16	65	12xM24-70	16	12xM20-60	14	33.6

Other diameters, PN and pin length: contact us.

Flange drilling templates

Template	ISO PN 10						ISO PN 16						ISO PN 25					
	Bolts						Bolts						Bolts					
DN	D	C	Qty	Ø	L	Hole	D	C	Qty	Ø	L	Hole	D	C	Qty	Ø	L	Hole
40	See ISO PN 25						See ISO PN 25						150	110	4	16	70	19
50	See ISO PN 25						See ISO PN 25						165	125	4	16	70	19
(60)*	See ISO PN 16						175	135	4	16	70	19	175	135	8	16	70	19
65	See ISO PN 16						185	145	4	16	70	19	185	145	8	16	70	19
80**	See ISO PN 16						200	160	8	16	70	19	200	160	8	16	70	19
100	See ISO PN 16						220	180	8	16	70	19	235	190	8	20	80	23
125	See ISO PN 16						250	210	8	16	70	19	270	220	8	24	100	28
150	See ISO PN 16						285	240	8	20	80	23	300	250	8	24	100	28
(175)*	See ISO PN 16						315	270	8	20	80	23	330	280	12	24	100	28
200	340	295	8	20	80	23	340	295	12	20	80	23	360	310	12	24	100	28
250***	395	350	12	20	80	23	405	355	12	24	100	28	425	370	12	27	110	31
300***	445	400	12	20	80	23	460	410	12	24	100	28	485	430	16	27	110	31
350	505	460	16	20	80	23	520	470	16	24	100	28	555	490	16	30	130	34
400	565	515	16	24	100	28	580	525	16	27	110	31	620	550	16	33	140	37
450	615	565	20	24	100	28	640	585	20	27	110	31	670	600	20	33	140	37
500	670	620	20	24	100	28	715	650	20	30	130	34	730	660	20	33	140	37
600	780	725	20	27	110	31	840	770	20	33	140	37	845	770	20	36	140	40



Off-axis holes

NB: The bolt and pin length is not suitable for special flanges.

* Reminder – compliant with previous standards.

** Four-hole drilling is retained on a transitional basis.

*** In GS cast iron flanges, dimension D is the same for ISO PN 10 and ISO PN 16: 400 for DN 250, 455 for DN 300.

Round flanges - Series C4 35

Blank flanges

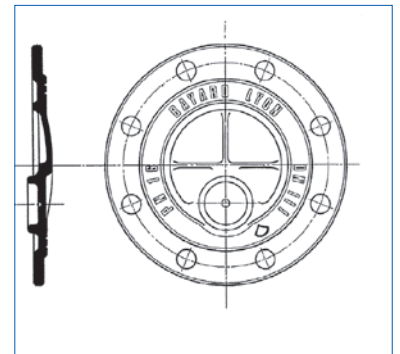
DN 40 to 600

Made of cast iron GS/EN-GJS-450-10 to NF EN 1563

Drilling ISO PN 10

DN	40	50	60/65	80	100	125	150
kg	1.75	1.70	2	2.4	2.85	4.20	5.10

DN	200	250	300	350	400	500	600
kg	7.1	16	25	31.4	41	57.5	69.5



Threaded flanges

DN 40 to 100 gas thread

Made of S235JR steel to NF EN 10025

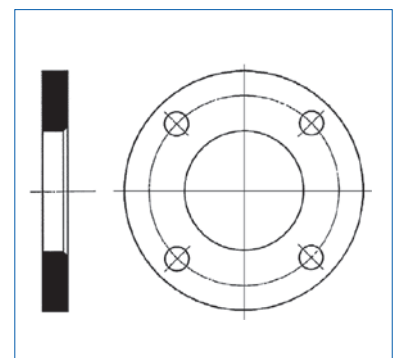
DN 50 to 200 metric thread M55X3 (large boss)

Made of cast iron EN-GJS-450-10 to NF EN 1563

Drilling ISO PN 10

DN	40	50	60	65	80	100
Gas thread	G2	G2	G2 - G2 1/2	G2 1/2	G3	G4
kg	2.2	2.5	2.7	4	4	4.47

DN	50	60/65	80	100	125	150	200
Metric thread	M55x3	M55x3	M55x3	M55x3	M55x3	M55x3	M55x3
kg	1.70	2.10	2.70	2.80	4	4.85	7



Drilled flanges

DN 40 to 400

Made of S235JR steel to NF EN 10025

Drilling ISO PN10

DN	40	50	60	65	80	100	125	150	200	250	300	350	400
Drilled	49	61.5	77.5	77.5	90.5	116	141.5	161 - 70.5	222	276.5	327.5	359.5	411
kg	1.85	2.5	2.7	3	4.2	4.4	5.9	7.25	9.25	12.8	14.8	22	27.5

Accessories

Seals - Series C4 50

With centring lugs for flange

DN 40 to 1000 ISO PN10, 16

PN 10/16 food grade EPDM.

Without centring lugs - metal core

DN 65 to 1000

PN 25 NBR.

Bolts - Series C4 55

Types:

M10-40 - M12-50 - M16-70 - M16-80 - M20-80 - M20-90 - M24-100

Hexagonal head.

Supplied in a box with nut and washer.

Class 6-8 steel to DIN 931 and 933.

Bolt and nut coated in Geomet® 500 Gr B, with washer.

