

## Flanged soft sealing gate valves PN 25 for on/off duty.



### Description

- **Performances:**
  - Low head loss,
  - Low operating torque,
  - Bubble tight shut-off.
- **Design:**
  - Straight and full bore to nominal diameter.
  - Wedge fully encapsulated in moulded elastomer, integral wedge guides for easy operation under maximum differential pressure.
  - Replaceable packing version.
  - Three independent stem seals. Two o-rings above the collar and one pressure sensitive seal below.
  - Dust seal to prevent ingress of dirt at the stem level.
  - Stem in stainless steel.
  - Internal and external blue powder epoxy coating of 150 µm.
  - Bonnet bolts fully covered.
- In conformity with NF E 29324 and ISO 7259 standards.
- Clockwise closing direction (CC - blue label) or anticlockwise closing direction (CO - red label).
- Maintenance-free.
- Different types of operation available.

### Applications

- Drinking water networks.
- Fire protection networks.
- Irrigation networks.
- Sewage networks.

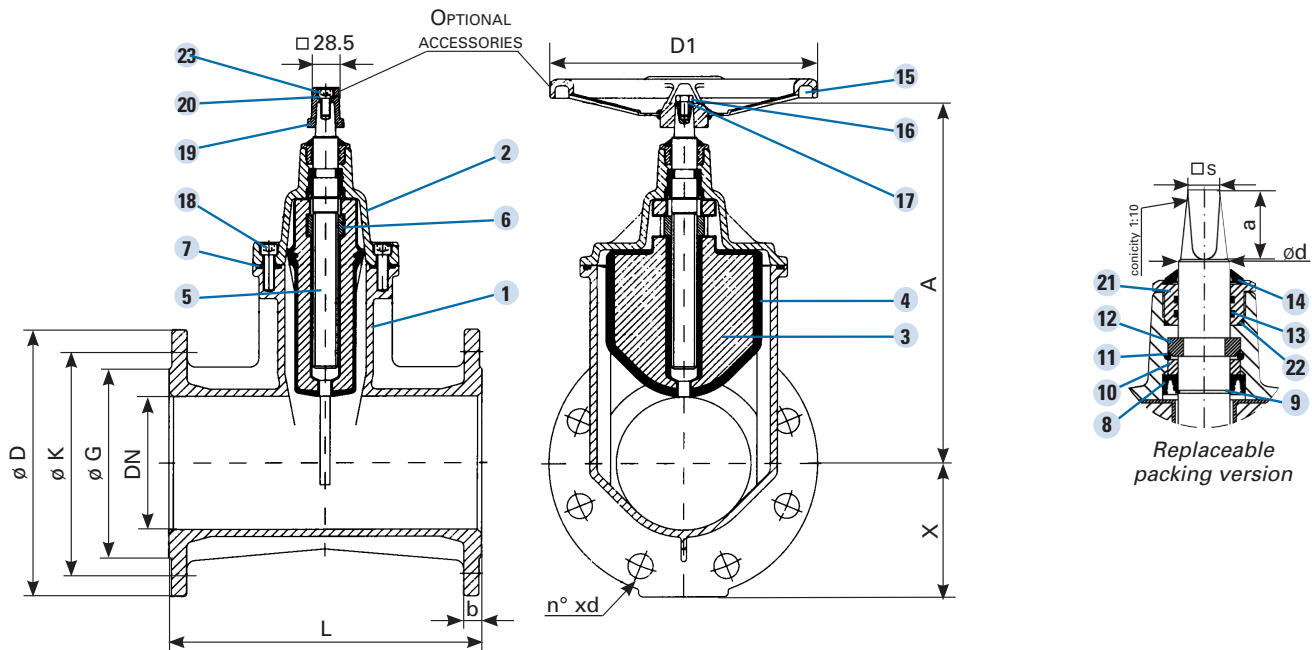
### Tests

- Fully tested manufacturing according to standard ISO 5208-2.

### Technical data

- Range: DN 40 to 300.
- Maximal working pressure: PN 25.
- Temperatures: from -10 °C to + 80 °C.
- Seating: class A according to standard ISO 5208-2.
- Face-to-face dimensions according to standards EN 558-1 series 15 and ISO 5752 series 15.
- Flanged drilling according to standards EN 1092-2 and ISO 7005-2: ISO PN25 for DN 40 to 300.

# SOFT SEALING GATE VALVE DN 40 to 300 - Series B1 92



Item	Designation	Qty	Materials	Standards
1	Body **	1	Ductile iron/EN-GJS-500-7	EN 1563
2	Bonnet **	1	Ductile iron/EN-GJS-500-7	EN 1563
3	Wedge	1	Ductile iron/EN-GJS-500-7	EN 1563
4	Wedge elastomer	1	Elastomer/EPDM*	
5	Stem	1	Stainless steel 420/X20Cr13	EN 10088
6	Stem nut	1	Copper alloy/ CuZn39Mn1AlPbSi	EN 12165
7	Bonnet gasket	1	Elastomer/EPDM*	
8	Pressure sensitive seal	1	Elastomer/EPDM*	
9	Circlips	1	Steel + Delta tone	
10	Bush	1	Polyacetal/POM	
11	Thrust ring	1	Stainless steel 302/X10CrNi 18-8	EN 10088
12	Thrust collar	1	Bronze/CuSn5Zn5Pb5	EN 1982
13	O-ring	2	Elastomer/NBR	
14	Dust seal	1	Elastomer/NBR	
15	Handwheel ***	1	Steel/DD 13	EN 10111
16	Handwheel bolt	1	Stainless steel 304/X5CrNi18-10	EN 10088
17	Handwheel washer	1	Stainless steel 304/X5CrNi18-10	EN 10088
18	Bonnet bolt	s/DN	Zinc-chromatized Steel / Steel 8.8	EN ISO 898
19	Stem cap ***	1	Ductile iron /EN-GJS-500-7	EN 1563
20	Stem cap bolt	1	Stainless steel 304/X5CrNi18-10	EN 10088
21	Packing box	1	Copper alloy/ CuZn39Mn1AlPbSi	EN 12165
22	O-ring	1	Elastomer/EPDM*	
23	Direction of closing indicator	1	Lupolen/PE-BD	

\* or NBR, depending on the approval and on the application

\*\* blue coating (Ral 5015) with epoxy powder 150 microns

\*\*\* black epoxy coating

DN	ISO PN25 drilling					L	A	X	D1 mini	d	s	a	Number of for closing	Weight kg
	D	K	G	b	n°xd									
40	150	110	84	19	4x19	240	197	75	125	20	14.3	29	10	9
50	165	125	99	19	4x19	250	208.5	82.5	125	20	14.3	29	12.5	11
65	185	145	118	19	8x19	270	245	92.5	150	25	17.3	34	13	14
80	200	160	132	19	8x19	280	287.5	100	175	25	17.3	34	16	19
100	235	190	156	19	8x23	300	317.5	117.5	200	25	19.3	38	20	25.5
125	270	220	184	19	8x28	325	367.5	135	250	28	19.3	38	25	34
150	300	250	211	20	8x28	350	408.5	150	300	28	19.3	38	30	44.5
200	360	310	274	22	12x28	400	496.5	180	350	32	24.3	42	33	71
250	425	370	330	24.5	12x31	450	589.5	212.5	400	36	27.3	47	45	117
300	485	430	389	27.5	16x31	500	664.5	242.5	500	36	27.3	47	50	157.5