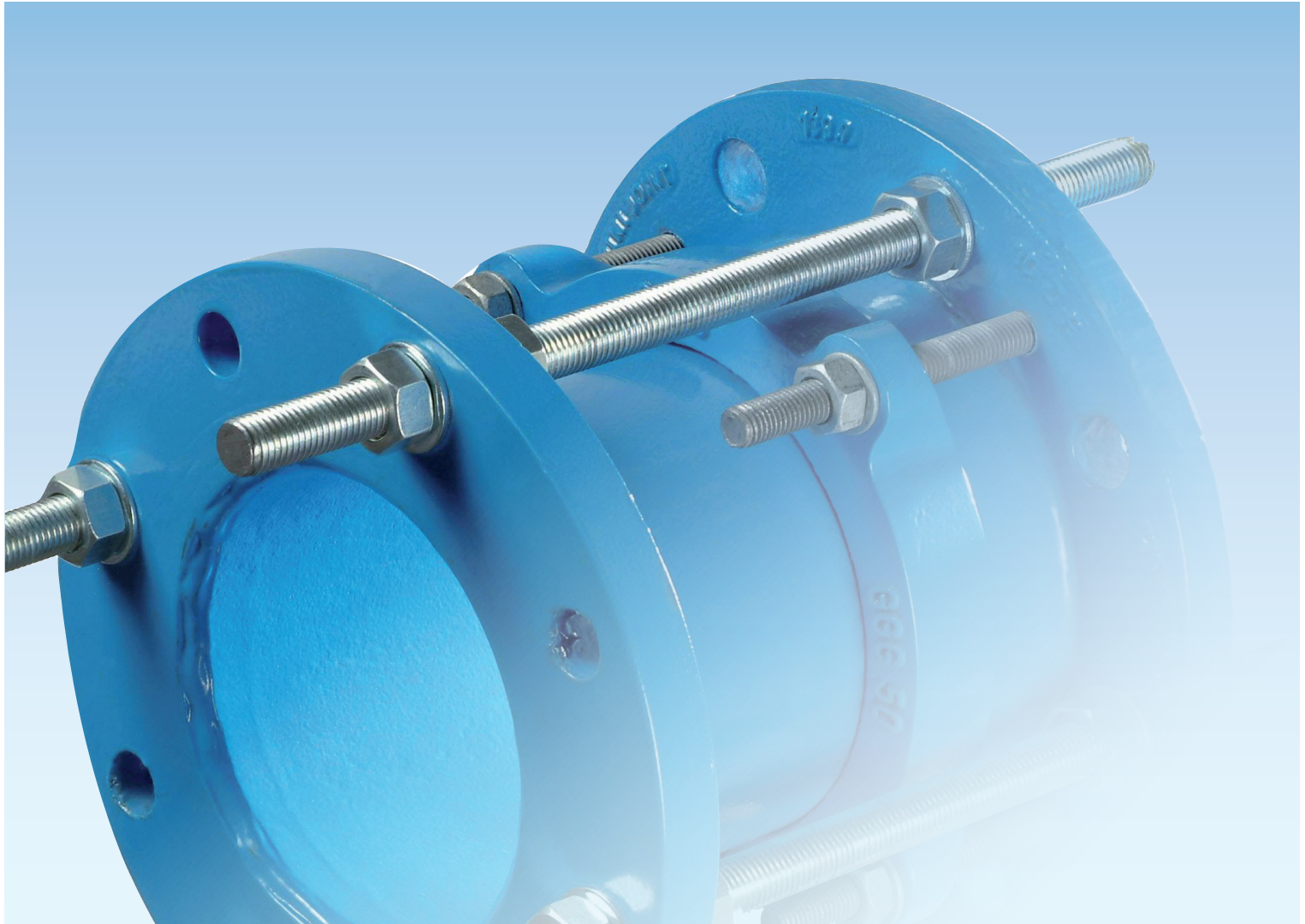
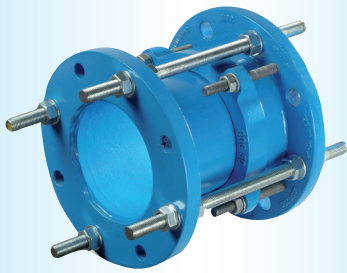


# Dismantling joint Series C1 55



# Dismantling joint



Version with long tierods recommended for mounting with wafer type butterfly valves (Type 1).



## 1 - Description

Allows mechanical assembling and disassembling of flanged apparatus by ensuring the resumption of the basic effects due to the pressure of the fluid.

### 1.1 Functions:

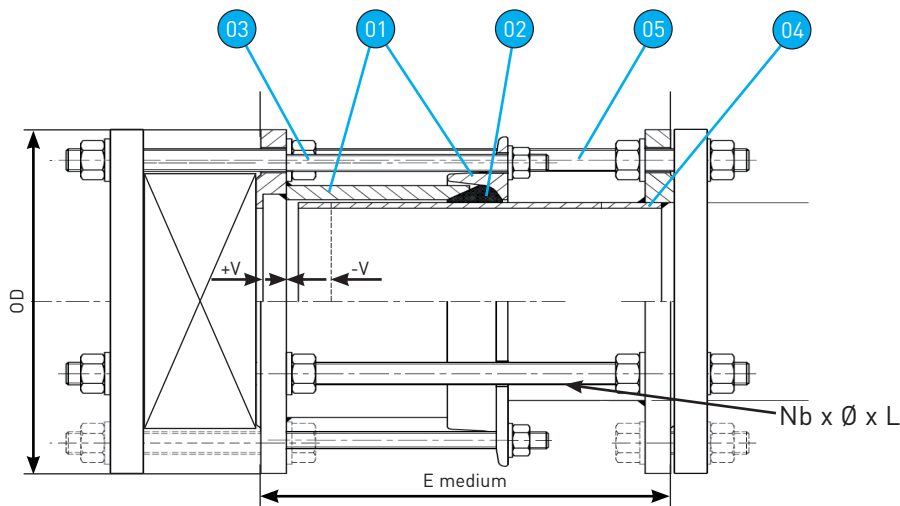
- Enables flanges adjustment.
- Important adjustment value.
- Tierods length and flanges can allow Water valves assembling.
- Anti corrosion protection: epoxy powder coating 250µm.
- Conformity to standard NFE 29220: Industrial pipework - Flanged adaptors and disassembly seal for pipework - Specifications.
- Drinking water approved.

### 1-2 Applications:

- Drinking water networks.
- Pumping, treatment, watertank.
- Fire protection networks.
- Irrigation networks.
- Sewage networks (type WC- NF EN 681-1).

### 1-3 Technical data:

- Range: DN 50 to 1600.
- PFA 10 ISO PN10, PFA 16 ISO PN16, PFA 25 ISO PN25.
- PFA 40 ISO PN40 on request.
- Temperatures: +10°C to +60°C.



| Item | Designation    | Materials                              | Standards                |
|------|----------------|--|--------------------------|
| 01   | Body           | Welded steel according to the diameter | NF EN 1563 - NF EN 10025 |
| 02   | Gasket*        | EPDM                                   | NF EN 681-1              |
| 03   | Bolts**        | Hot dip Galvanized (HDG)               | -                        |
| 04   | Flanged Spigot | Welded steel                           | NF EN 10025              |
| 05   | Tierods**      | Zinc electroplated                     | ISO 4042                 |

\* Nitrile on request

\*\* ST304, ST316 on request



**CAUTION ! Before mounting, please verify the tierods length is in medium position (E medium).**

# Dismantling joint

## PFA 10 ISO PN 10

| DN   | Overall length in medium position E-medium | Adjustability +/- V | Flange OD | Flange specification |              | Type 1*            | Type 2**           | Weight |
|------|--|---------------------|-----------|----------------------|--------------|--------------------|--------------------|--------|
|      |  |                     |           | Pitch bolt circle    | Holes Nb x Ø | Tierods Nb x Ø x L | Tierods Nb x Ø x L |        |
|      | mm   | mm                  | mm        | mm                   | mm           | mm                 | mm                 | kg     |
| 50   | 180  | 20                  | 165       | 125                  | 4x18         | 2xM16x330          | 2xM16x280          | 8      |
| 65   | 180  | 20                  | 185       | 145                  | 4x18         | 2xM16x330          | 2xM16x280          | 9      |
| 80   | 200  | 20                  | 200       | 160                  | 8x18         | 2xM16x500          | 2xM16x310          | 12     |
| 100  | 200  | 20                  | 220       | 180                  | 8x18         | 2xM16x500          | 2xM16x310          | 14     |
| 125  | 200  | 20                  | 250       | 210                  | 8x18         | 2xM16x500          | 2xM16x310          | 18     |
| 150  | 200  | 20                  | 285       | 240                  | 8x22         | 2xM20x500          | 2xM20x340          | 22     |
| 200  | 220  | 25                  | 340       | 295                  | 8x22         | 4xM20x500          | 4xM20x340          | 30     |
| 250  | 220  | 25                  | 395       | 350                  | 12x22        | 4xM20x500          | 4xM20x360          | 43     |
| 300  | 220  | 25                  | 445       | 400                  | 12x22        | 4xM20x500          | 4xM20x360          | 49     |
| 350  | 230  | 25                  | 505       | 460                  | 16x22        | 4xM20x500          | 4xM20x360          | 74     |
| 400  | 230  | 25                  | 565       | 515                  | 16x22        | 4xM24x500          | 4xM24x370          | 88     |
| 450  | 250  | 25                  | 615       | 565                  | 20x26        | 5xM24x500          | 5xM24x390          | 99     |
| 500  | 260  | 25                  | 670       | 620                  | 20x26        | 5xM24x1000         | 5xM24x390          | 113    |
| 600  | 260  | 25                  | 780       | 725                  | 20x30        | 5xM27x1000         | 5xM27x410          | 142    |
| 700  | 260  | 25                  | 895       | 840                  | 24x30        | 6XM27x1000         | 6XM27x410          | 189    |
| 800  | 290  | 25                  | 1015      | 950                  | 24x33        | 6xM30x1000         | 6xM30x460          | 251    |
| 900  | 290  | 25                  | 1115      | 1050                 | 28x33        | 7xM30x1000         | 7xM30x460          | 281    |
| 1000 | 290  | 25                  | 1230      | 1160                 | 28x36        | 7xM33x1000         | 7xM33x480          | 331    |
| 1200 | 320  | 25                  | 1455      | 1380                 | 32x39        | 8xM36x1000         | 8xM36x520          | 472    |
| 1400 | 325  | 25                  | 1675      | 1590                 | 36x42        | 9xM39x1000         | 9xM39x540          | 654    |
| 1500 | 325  | 25                  | 1785      | 1700                 | 36x42        | 9xM39x1000         | 9xM39x540          | 749    |
| 1600 | 350  | 25                  | 1915      | 1820                 | 40x48        | 10xM45x1000        | 10xM45x585         | 913    |

## PFA 16 ISO PN 16

| DN   | Overall length in medium position E-medium | Adjustability +/-V | Flange OD | Flange specification |              | Type1*             | Type2**            | Weight |
|------|--|--------------------|-----------|----------------------|--------------|--------------------|--------------------|--------|
|      |  |                    |           | Pitch bolt circle    | Holes Nb x Ø | Tierods Nb x Ø x L | Tierods Nb x Ø x L |        |
|      | mm   | mm                 | mm        | mm                   | mm           | mm                 | mm                 | kg     |
| 50   | 180  | 20                 | 165       | 125                  | 4x18         | 2xM16x330          | 2xM16x280          | 8      |
| 65   | 180  | 20                 | 185       | 145                  | 4x18         | 2xM16x330          | 2xM16x280          | 9      |
| 80   | 200  | 20                 | 200       | 160                  | 8x18         | 2xM16x500          | 2xM16x310          | 12     |
| 100  | 200  | 20                 | 220       | 180                  | 8x18         | 2xM16x500          | 2xM16x310          | 14     |
| 125  | 200  | 20                 | 250       | 210                  | 8x18         | 2xM16x500          | 2xM16x310          | 18     |
| 150  | 200  | 20                 | 285       | 240                  | 8x22         | 2xM20x500          | 2xM20x340          | 22     |
| 200  | 220  | 25                 | 340       | 295                  | 12x22        | 4xM20x500          | 4xM20x340          | 32     |
| 250  | 230  | 25                 | 405       | 355                  | 12x26        | 4xM24x500          | 4xM24x370          | 47     |
| 300  | 250  | 25                 | 460       | 410                  | 12x26        | 4xM24x500          | 4xM24x410          | 55     |
| 350  | 260  | 25                 | 520       | 470                  | 16x26        | 4xM24x500          | 4xM24x410          | 82     |
| 400  | 270  | 25                 | 580       | 525                  | 16x30        | 4xM27x1000         | 4xM27x430          | 104    |
| 450  | 270  | 25                 | 640       | 585                  | 20x30        | 5xM27x1000         | 5xM27x430          | 123    |
| 500  | 280  | 25                 | 715       | 650                  | 20x33        | 5xM30x1000         | 5xM30x460          | 152    |
| 600  | 300  | 25                 | 840       | 770                  | 20x36        | 5xM33x1000         | 5xM33x480          | 204    |
| 700  | 300  | 25                 | 910       | 840                  | 24x36        | 6xM33x1000         | 6xM33x480          | 223    |
| 800  | 320  | 25                 | 1025      | 950                  | 24x39        | 6xM36x1000         | 6xM36x520          | 299    |
| 900  | 320  | 25                 | 1125      | 1050                 | 28x39        | 7xM36x1000         | 7xM36x520          | 336    |
| 1000 | 325  | 25                 | 1255      | 1170                 | 28x42        | 7xM39x1000         | 7xM39x550          | 413    |
| 1200 | 325  | 25                 | 1485      | 1390                 | 32x48        | 8xM45x1000         | 8xM45x575          | 485    |
| 1400 | 350  | 25                 | 1685      | 1590                 | 36x48        | 9xM45x1000         | 9xM45x620          | 608    |
| 1500 | 390  | 25                 | 1820      | 1710                 | 36x56        | 9xM52x1000         | 9xM52x675          | 939    |
| 1600 | 390  | 25                 | 1930      | 1820                 | 40x56        | 10xM52x1000        | 10xM52x675         | 1096   |

## PFA 25 ISO PN 25

| DN   | Overall length in medium position E-medium | Adjustability +/-V | Flange OD | Flange specification |              | Type1*             | Type2**            | Weight |
|------|--|--------------------|-----------|----------------------|--------------|--------------------|--------------------|--------|
|      |  |                    |           | Pitch bolt circle    | Holes Nb x Ø | Tierods Nb x Ø x L | Tierods Nb x Ø x L |        |
|      | mm   | mm                 | mm        | mm                   | mm           | mm                 | mm                 | kg     |
| 50   | 200  | 20                 | 165       | 125                  | 4x18         | 2xM16x330          | 2xM16x310          | 8      |
| 65   | 200  | 25                 | 185       | 145                  | 8x18         | 4xM16x330          | 4xM16x310          | 11     |
| 80   | 210  | 20                 | 200       | 160                  | 8x18         | 4xM24x500          | 4xM16x330          | 13     |
| 100  | 220  | 25                 | 235       | 190                  | 8x22         | 4xM24x500          | 4xM20x340          | 19     |
| 125  | 220  | 25                 | 270       | 220                  | 8x26         | 4xM24x500          | 4xM24x370          | 26     |
| 150  | 230  | 25                 | 300       | 250                  | 8x26         | 4xM24x500          | 4xM24x370          | 30     |
| 200  | 230  | 25                 | 360       | 310                  | 12x26        | 6xM24x500          | 6xM24x370          | 41     |
| 250  | 250  | 25                 | 425       | 370                  | 12x30        | 6xM27x500          | 6xM27x410          | 58     |
| 300  | 250  | 25                 | 485       | 430                  | 16x30        | 8xM27x500          | 8xM27x410          | 77     |
| 350  | 270  | 25                 | 555       | 490                  | 16x33        | 8xM30x1000         | 8xM30x440          | 112    |
| 400  | 280  | 25                 | 620       | 550                  | 16x36        | 8xM33x1000         | 8xM33x480          | 141    |
| 450  | 280  | 25                 | 670       | 600                  | 20x36        | 10xM33x1000        | 10xM33x480         | 164    |
| 500  | 300  | 25                 | 730       | 660                  | 20x36        | 10xM33x1000        | 10xM33x480         | 184    |
| 600  | 320  | 25                 | 845       | 770                  | 20x39        | 10xM36x1000        | 10xM36x520         | 241    |
| 700  | 325  | 25                 | 960       | 875                  | 24x42        | 12xM39x1000        | 12xM39x550         | 302    |
| 800  | 325  | 25                 | 1085      | 990                  | 24x48        | 12xM45x1000        | 12xM45x575         | 420    |
| 900  | 340  | 25                 | 1185      | 1090                 | 28x48        | 14xM45x1000        | 14xM45x585         | 482    |
| 1000 | 340  | 25                 | 1320      | 1210                 | 28x56        | 14xM52x1000        | 14xM52x650         | 619    |
| 1200 | 340  | 25                 | 1530      | 1420                 | 32x56        | 16xM52x1000        | 16xM52x720         | 903    |

\* Type 1: version with long tierods, for mounting with wafer type butterfly valves.

\*\* Type 2: version with short tierods, for mounting with lug type butterfly valves or other flanged products (ISO PN drilling).

# Your choice in waterflow control



TALIS is always the number one choice whenever water transport or management is required. Our company offers the most appropriate solution for water and energy management, and applications serving industrial and municipal customers. With a complete range of more than 20,000 products, we offer comprehensive solutions for the entire water cycle: pumping, distribution, and connections, ... Our experience, innovative technology, global and specific expertise form the basis for developing sustainable solutions for the efficient handling of the vital resource... water.



## **BAYARD**

ZI - 4 avenue Lionel Terray  
CS 70047

69881 Meyzieu cedex France

**TÉL.** + 33 (0)4 37 44 24 24

**FAX** + 33 (0)4 37 44 24 25

**SITE** : [www.bayard.fr](http://www.bayard.fr)

Specifications and performance may be changed without notice as a result of technical developments. Images and photos given for illustration purposes only.

 **TALIS**