

# Ultra wide tolerance coupling UMT Series C2 41

Enables the mechanical jointing of pipes made of different materials and of various outside diameters.



## Description

- Ultra wide tolerance range: an average of 40 mm.
- Small number of models for a Nominal Diameter.
- Reliability:
  - Permanent leak tight joint when compressing the gasket between the end-flange and the sleeve onto the pipe surface.
  - Independent sealing compression on each socket end.
  - Anticorrosion protection: epoxy powder coating 120 µm and Dacromet® 500 Gr.B for the bolts.
- Ease of installation:
  - Angular deflection  $\pm 10^\circ$ ,
  - Easy mounting with interchangeability of bolts direction,
  - Accommodates misalignment,
  - Setting gap.
- Conformity to standards:
  - NFA 48 830: Foundry products - Spheroidal graphite cast iron fittings for PVC drinking water pipes under pressure.
  - EN 545: Ductile iron pipes, fittings, accessories and their joints for water pipelines – requirements and test methods.
  - ISO 2531: Ductile iron pipes, fittings, accessories and their joints for water applications.
- Approval:
  - Drinking water approved.
- Nota:

This coupling does not resist to longitudinal forces and pipe pull out will occur. Ensure adequate restraint is provided

## Technical data

- Range: DE 40 to 845.
- Maximal working pressure: PN 16.
- Temperatures: +0°C to +60°C.
- Torque: 60 to 70 Nm.

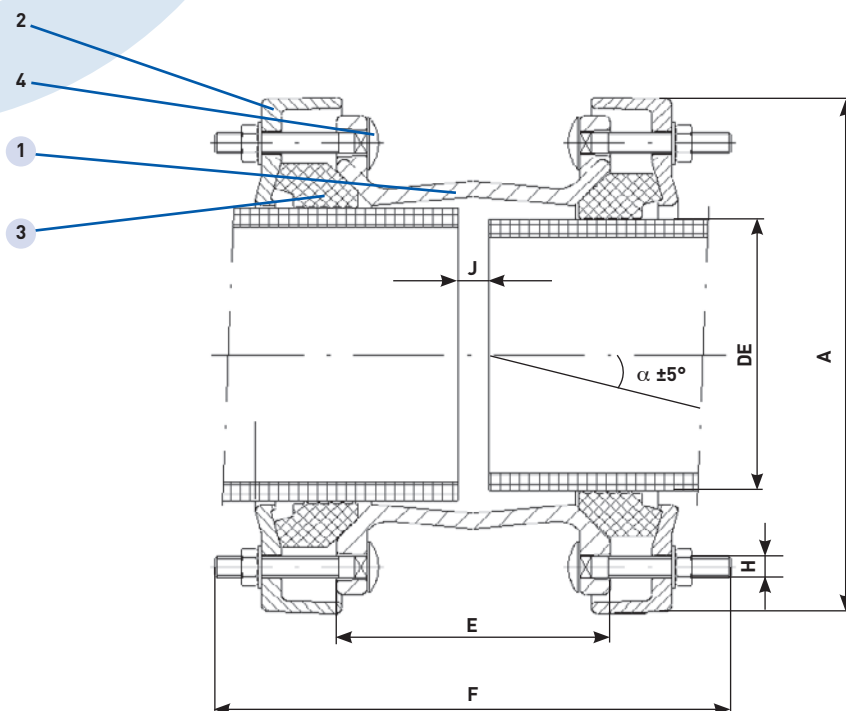
## Applications

Particularly designed for asbestos cement or concrete pipes. Used as straight or stepped flange adaptor on:

- Drinking water networks.
- Irrigation networks.
- Sewage networks.

## Tests

- Sealing test according to standard ISO 2531.



| Item | Designation   | Qty    | Materials                 | Standards |
|------|---------------|--------|---------------------------|-----------|
| 1    | Centre sleeve | 1      | Ductile iron/EN-GJS-500-7 | EN 1563   |
| 2    | End-flanges   | 2      | Ductile iron/EN-GJS-500-7 | EN 1563   |
| 3    | Gasket        | 2      | EPDM                      | EN 681-1  |
| 4    | Bolts         | acc/DN | Steel C45 Cl. 8.8*        | 10083-2   |

\* Stainless steel on request

## Range UMT

| Réf.   | DN    | DE<br>mm | E<br>mm | F<br>mm | H<br>mm    | A<br>mm | J<br>mini | J<br>maxi | Poids<br>Kg |
|--------|-------|----------|---------|---------|------------|---------|-----------|-----------|-------------|
| 3101   | 50    | 40-75    | 145     | 280     | 6-M14x80   | 215     | 20        | 75        | 8.6         |
| 3102   | 60/65 | 60-95    | 145     | 300     | 8-M14x80   | 235     | 20        | 75        | 11.8        |
| 3103   | 80    | 80-115   | 145     | 300     | 8-M14x80   | 260     | 20        | 75        | 15          |
| 3104   | 100   | 105-135  | 145     | 300     | 8-M14x80   | 280     | 20        | 75        | 17.4        |
| 3105   | 125   | 130-165  | 180     | 340     | 8-M14x100  | 310     | 20        | 110       | 22          |
| 3106   | 150   | 155-195  | 180     | 340     | 8-M14x100  | 340     | 20        | 110       | 24          |
| 3107   | 175   | 190-230  | 180     | 340     | 8-M14x100  | 375     | 20        | 110       | 27.2        |
| 3108   | 200   | 215-258  | 180     | 340     | 12-M14x100 | 400     | 20        | 110       | 30.7        |
| 3109   | 225   | 240-280  | 200     | 360     | 12-M16x100 | 425     | 20        | 130       | 35.8        |
| 3110   | 250   | 235-275  | 200     | 360     | 12-M16x100 | 420     | 20        | 130       | 35.8        |
| 3110-A | 250   | 270-310  | 200     | 360     | 12-M16x100 | 455     | 20        | 130       | 38.2        |
| 3111   | 300   | 310-350  | 200     | 370     | 12-M16x100 | 495     | 20        | 130       | 43.1        |
| 3111-A | 300   | 350-390  | 200     | 370     | 12-M16x100 | 535     | 20        | 130       | 47.5        |
| 3112-A | 350   | 395-435  | 200     | 370     | 12-M16x100 | 580     | 20        | 130       | 51.5        |
| 3113-A | 400   | 435-470  | 200     | 370     | 12-M16x100 | 615     | 20        | 130       | 55.5        |
| 3113-B | 400   | 470-505  | 200     | 370     | 12-M16x100 | 650     | 20        | 130       | 59          |
| 3115   | 500   | 505-540  | 200     | 370     | 20-M16x100 | 685     | 20        | 130       | 65          |
| 3115-A | 500   | 540-575  | 200     | 370     | 20-M16x100 | 720     | 20        | 130       | 65.5        |
| 3115-B | 500   | 575-610  | 200     | 370     | 20-M16x100 | 755     | 20        | 130       | 69          |
| 3116   | 600   | 610-645  | 200     | 370     | 20-M16x100 | 790     | 20        | 130       | 75.5        |
| 3116-A | 600   | 645-680  | 200     | 370     | 20-M16x100 | 825     | 20        | 130       | 78          |
| 3116-B | 600   | 680-715  | 200     | 370     | 20-M16x100 | 860     | 20        | 130       | 78.5        |
| 3117   | 700   | 710-745  | 200     | 370     | 24-M16x100 | 890     | 20        | 130       | 83.5        |
| 3118   | 800   | 810-845  | 200     | 370     | 24-M16x100 | 990     | 20        | 130       | 93.5        |