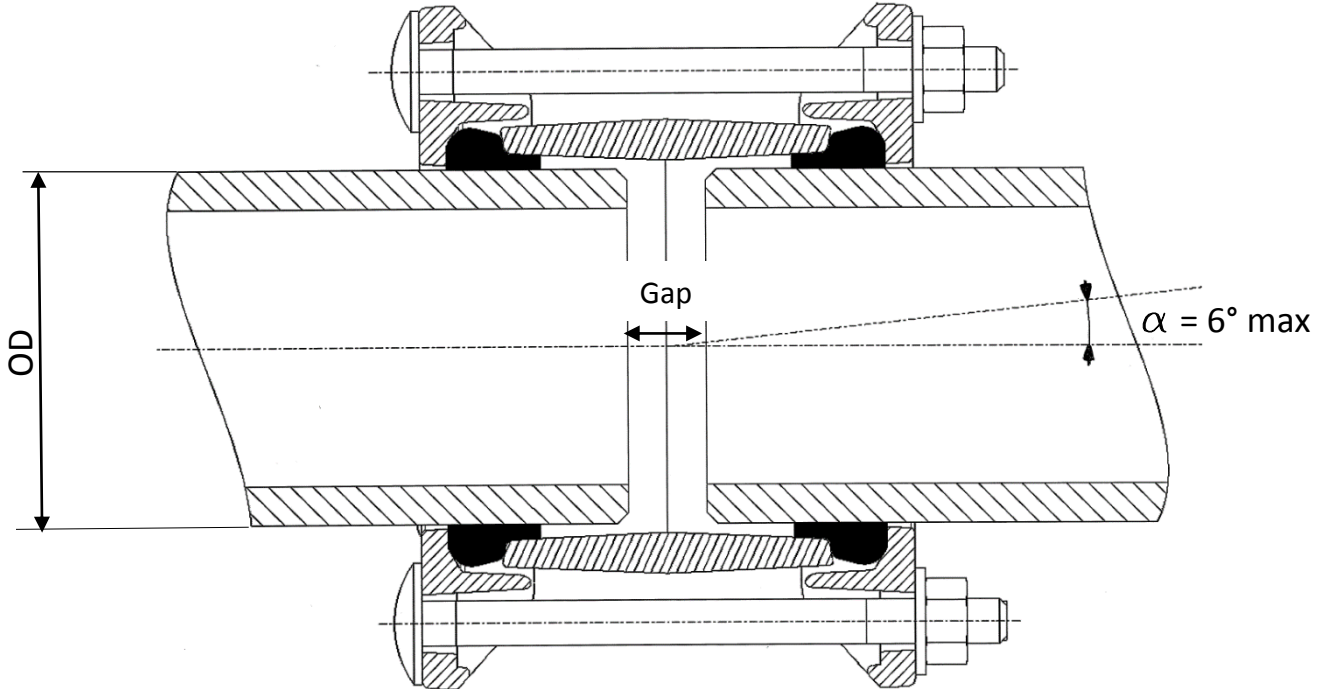
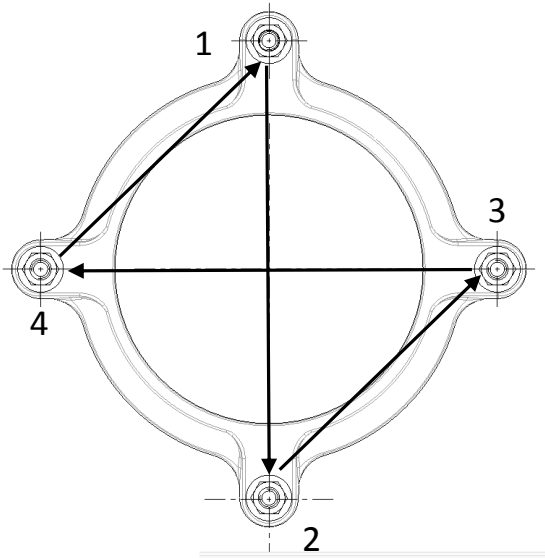


PE-HD	PVC-U	PVC-BO	DUCIL IRON	STEEL	FIBER CEMENT



M12	n°18	30N.m
M14	n°21	60N.m

Setting gap	
Outside Diameter	Gap
	mm
OD ≤ 110	20mm
110 < OD ≤ 225	25mm
225 < OD ≤ 280	35mm



With a Torque wrench, start tighten diametrically opposed bolts giving the nuts one or two turns at a time to draw up the end rings evenly. The bolts must be tightened to the figures given on the left, working around the coupling as many times as necessary. On completion, the radial gap between pipe and coupling should be even all the way round.