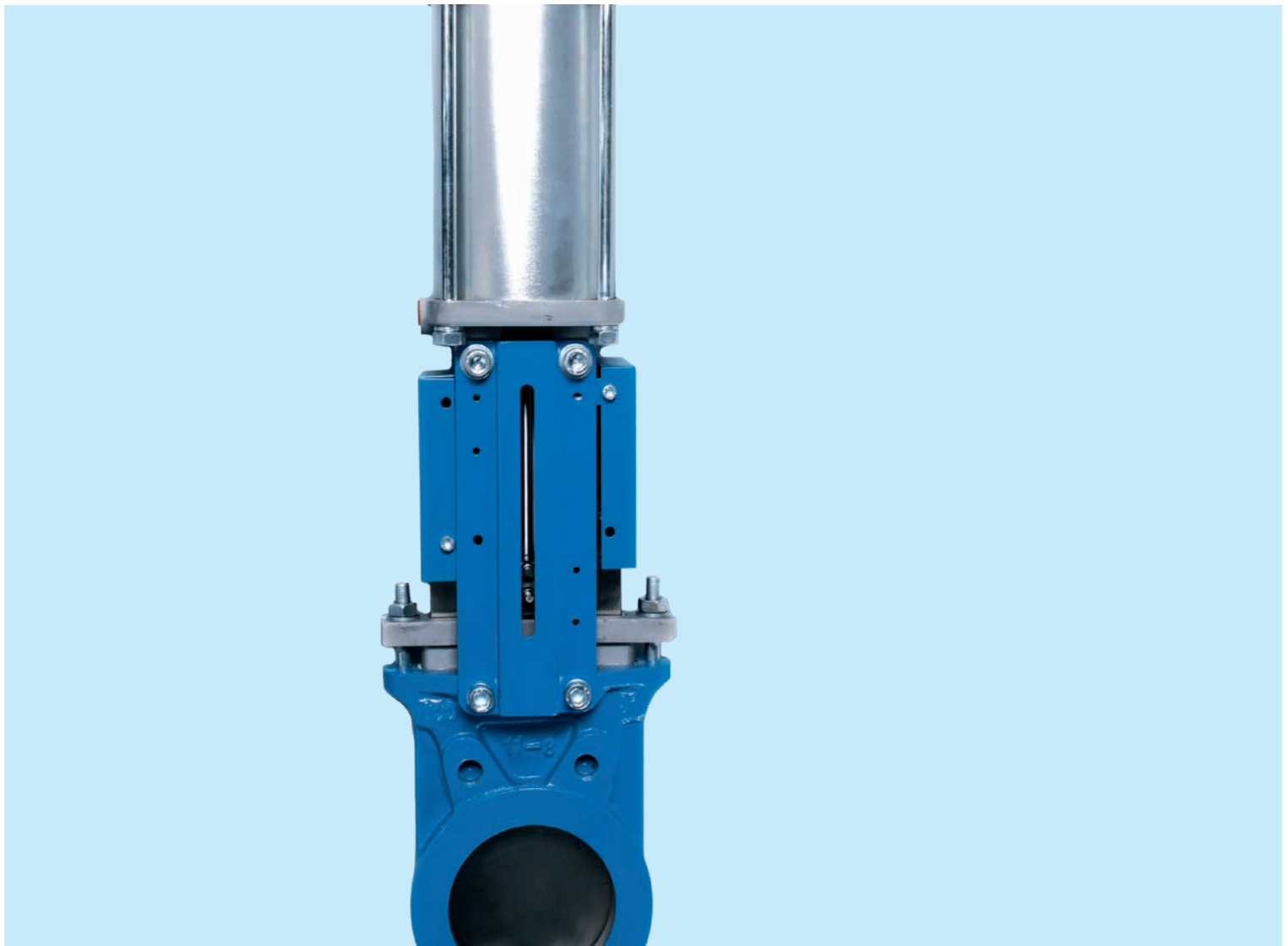


Unidirectional knife gate valve
Series L2 26 to L2 29





Closing or regulating compact knife gate valve, full bore, to be installed between flanges, one way tightness.

Descriptif

- Unidirectional water tightness
- Opening/closing or regulating functions.
- Assembly between flanges ISO PN10, PN16.
- No leakage, thanks to elastomer seat.
- Exchangeable seat materials: NBR/PTFE/Viton.
- Body: GG25 or Stainless steel 316 on request.
- All types of operating tools : square cap, clockwise closing hand wheel, lever, gearbox with hand wheel, with electric or pneumatic actuator, pneumatic cylinder (normally closed), hydraulic actuator...
- Accessories: stainless steel protection caps, limit switch (mechanical or inductive), solenoid valve.



Technical data

- Range DN 50 to 1200.
- Flanges ISO PN10 or PN16 according to EN 1092-2 standard.
- Tightness/leakage rate A according to NF EN12266-1.
- Shell tightness: 1.5 times the admissible pressure at ambient temperature.
- Admissible working pressure:

DN	50	65	80	100	125	150	200	250	300	350	400	450	500	600	700	800	900	1000	1200
P(bar)	10	10	10	10	10	10	10	8	6	4	4	3	3	3	2	2	2	2	2

Other pressures on request

- NBR seat maximum working temperatures: -10°C / +90°C.
- PTFE seat maximum working temperatures: 0°C / +180°C.



Options

- Other pressures on request.
- Various body materials on request: GGG40, CF8, CF8M, Stainless Steel 316L.
- Various seat materials: EPDM, Viton, PTFE...
- Maximum seat temperature :
 - EPDM : -20°C / +120°C
 - VITON : -10°C / +180°C
- Other accessories page 4.

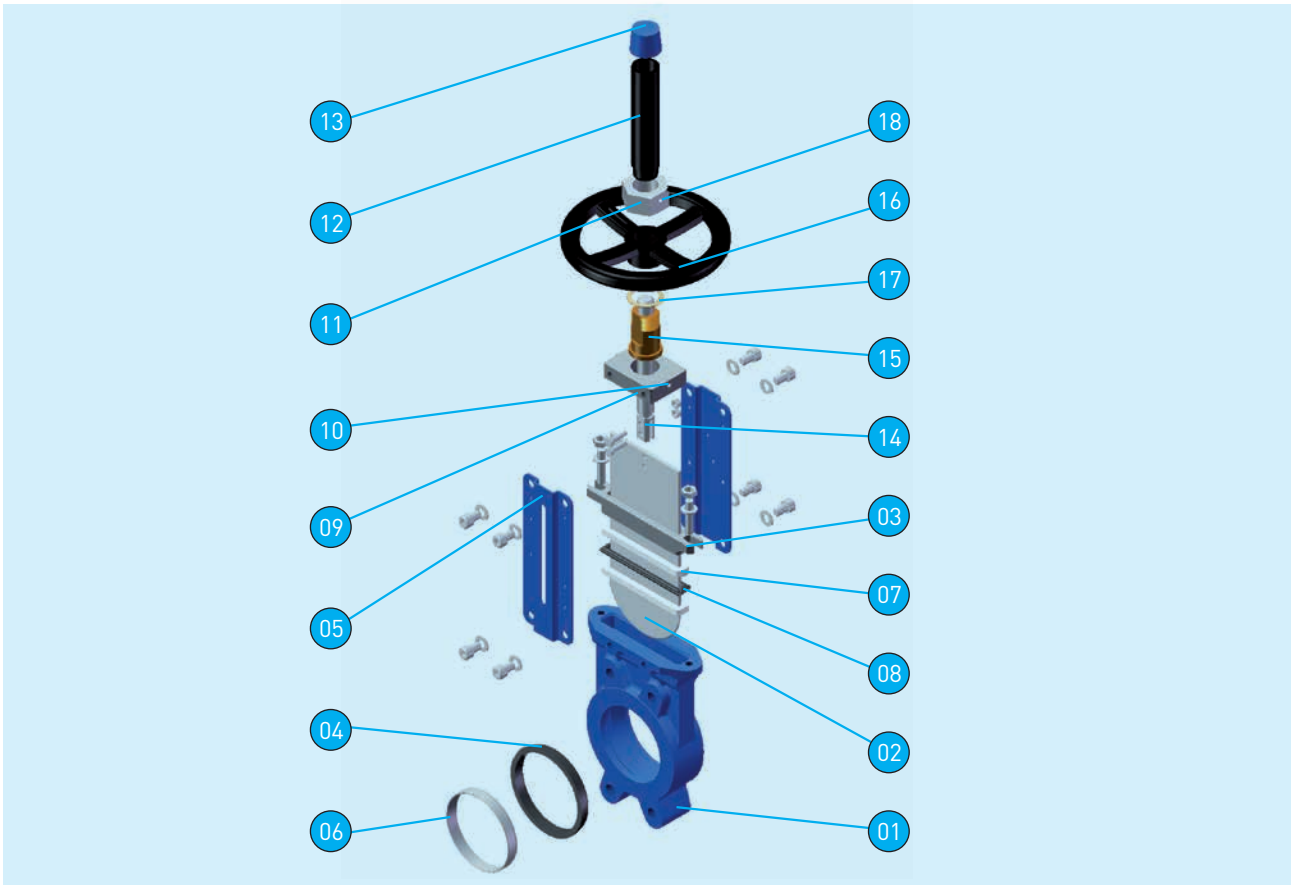


Applications

- Water, water treatment, waste water.
- Waste water treatment, raw sludge, faeces...
- Cellulose and paper industry: paper pulp, sawdust...
- Chemical industry: viscous paste, colloids, pellets, water chemically not purified.
- Sugar industry: cleaning facility for beets, syrup, juices.
- Food industry: cleaning and rinsing facility, cereal and vegetable transport installations...
- Iron and steel and mineral industry, slag, coal washeries...



Standard Version



Item	Designation	Qty	Material DI Version	Material S.Steel Version
01	Body	1	DI GG25	CF8M
02	Knife	1	S.Steel 304	S.Steel 316
03	Packing gland	1	DI	CF8M
04	SEAT	1	NBR	EPDM
05	Support	1	Steel	Steel
06	Retainer	1	S.Steel 304	S.Steel 316
07	Packing	1	PTFE	PTFE
08	O-ring	1	NBR	EPDM
09	Yoke	1	Steel	Steel
10	Oil hole	1	Steel	Steel
11	Fixing screw	1	Steel	Steel
12	Tube	1	Steel	Steel
13	Cap	1	Plastic	Plastic
14	Spindle	1	S.Steel 303	S.Steel 303
15	Stem nut	1	Bronze	Bronze
16	Hand wheel	1	Steel	Steel
17	Washer	1	Bronze	Bronze
18	Screw	-	S.Steel 304	S.Steel 304

Accessories



Deflector



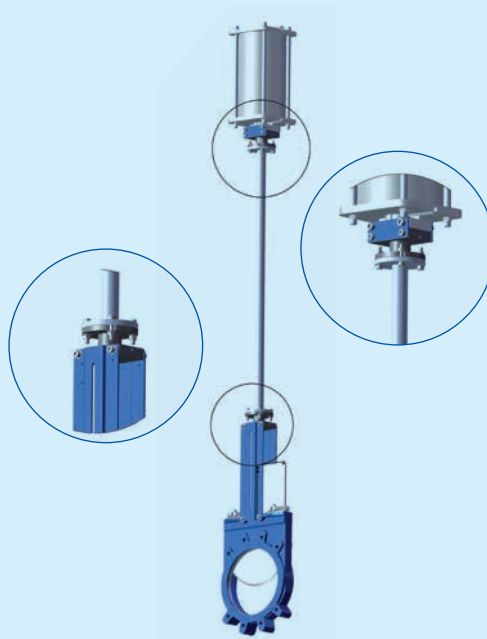
Inductive limit switches



Mechanical limit switches



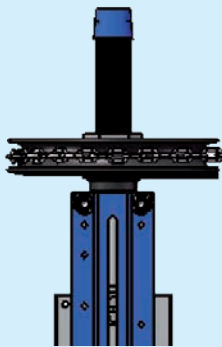
Solenoid valve



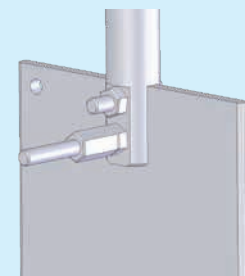
Extension spindle



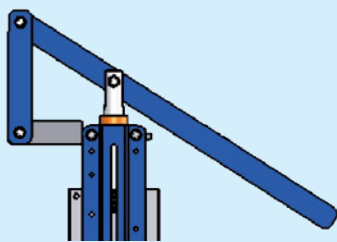
Override emergency manual actuator on DA jack



Chain hand wheel



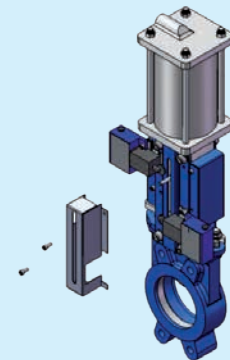
Position indicator



Manual operating by lever

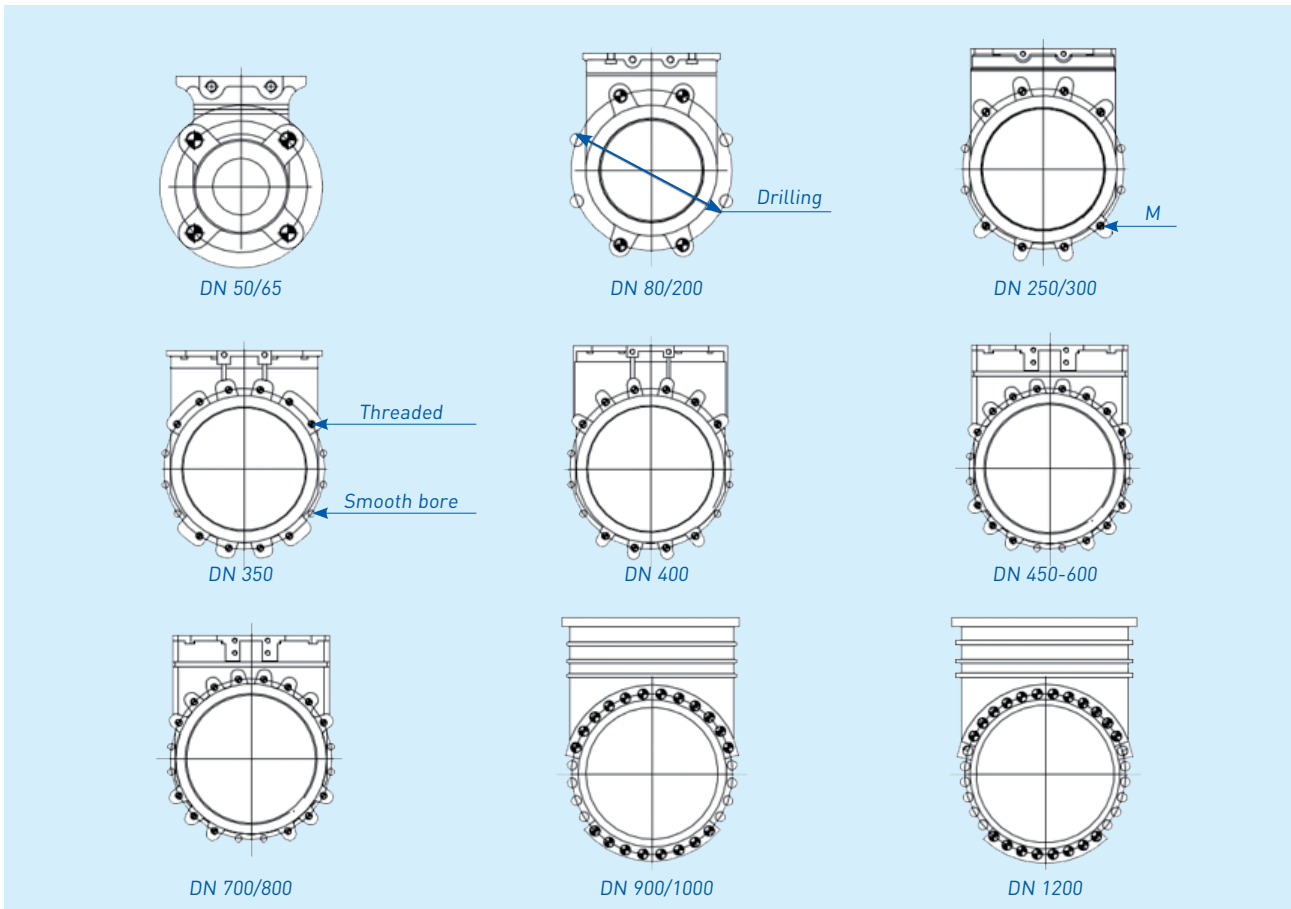


Flushing holes installation



Indicator cap

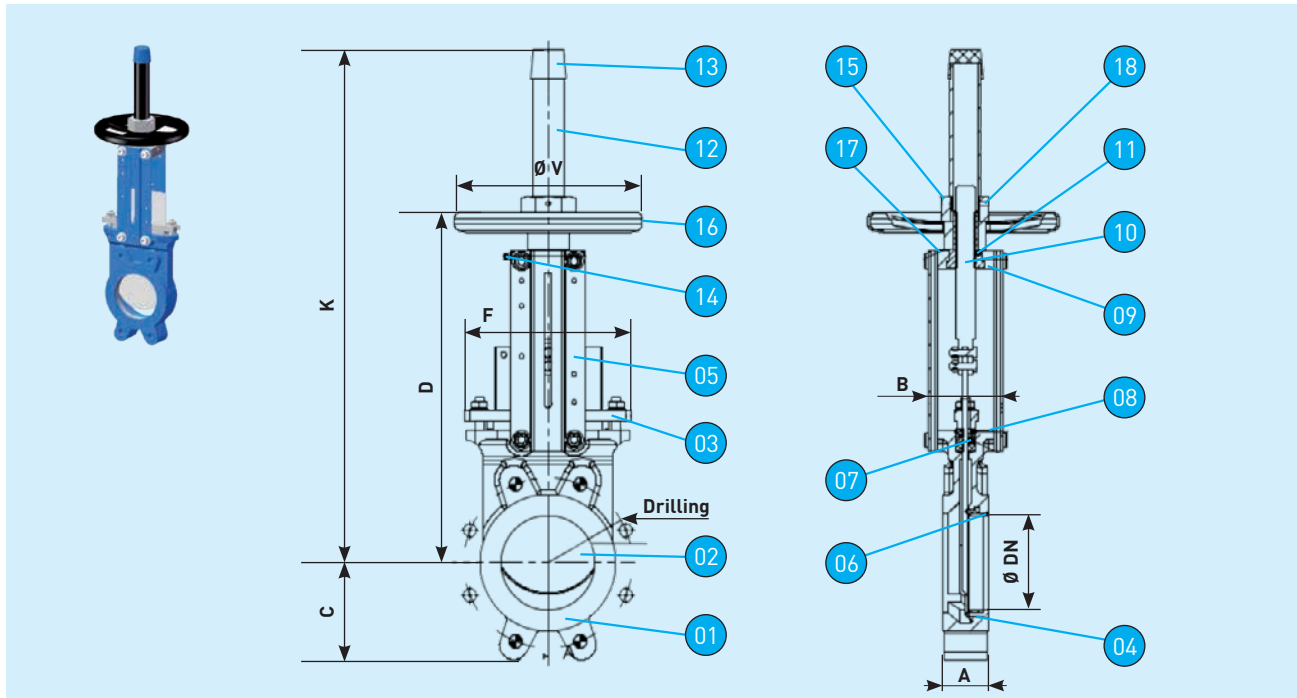
Flanges drilling



DN	PN 10					EN 1092 PN 16				ANSI B16.5 Class 150			
	Ø Drilling mm	Nb. Smooth holes	Nb. Threaded holes	Dim. bolts	Prof. Threaded holes	Ø Drilling mm	Nb. Smooth holes	Nb. Threaded holes	Dim. bolts	Ø Drilling mm	Nb. Smooth holes	Nb. Threaded holes	Dim. bolts
50	125	0	4	M16	8	125	0	4	M16	120,6	0	4	5/8"
65	145	0	4	M16	8	145	0	4	M16	139,7	0	4	5/8"
80	160	4	4	M16	10	160	4	4	M16	152,4	0	4	5/8"
100	180	4	4	M16	10	180	4	4	M16	190,5	4	4	5/8"
125	210	4	4	M16	10	210	4	4	M16	215,9	4	4	3/4"
150	240	4	4	M20	12	240	4	4	M20	241,3	4	4	3/4"
200	295	4	4	M20	12	295	6	6	M20	298,4	4	4	3/4"
250	350	4	8	M20	15	355	4	8	M24	362,0	4	8	7/8"
300	400	4	8	M20	15	410	4	8	M24	431,8	4	8	7/8"
350	460	6	10	M20	19	445	6	10	M22	476,2	4	8	1"
400	515	6	10	M24	20	510	6	10	M24	539,8	6	10	1"
450	565	6	14	M24	24	565	6	14	M24	577,8	6	10	1-1/8"
500	620	6	14	M24	24	620	6	14	M24	635,0	6	14	1-1/8"
600	725	6	14	M27	24	730	6	18	M30	749,3	6	14	1-1/4"
700	840	8	16	M27	20								
800	950	8	16	M30	20								
900	1050	8	20	M30	20								
1000	1160	8	20	M33	20								
1200	1380	12	20	M36	30								

Operating by hand wheel

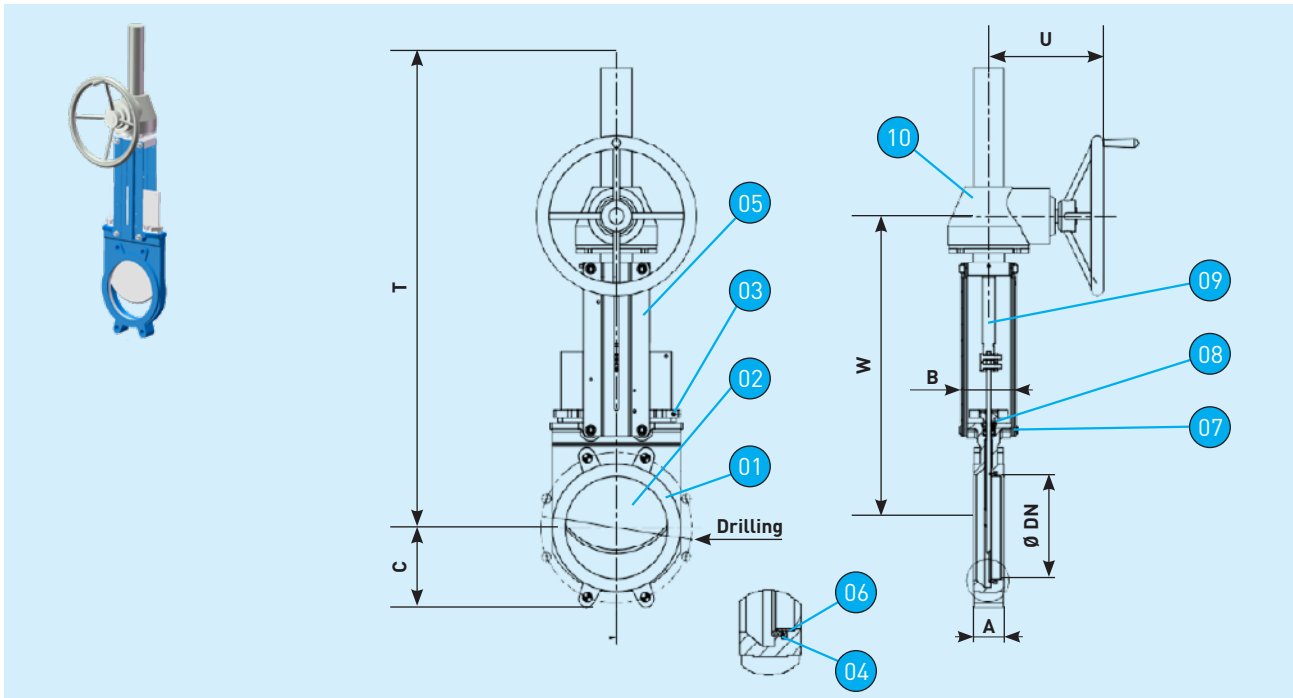
Rising operating stem



Item	Designation	Qty	Material
01	Body	1	DI GG25
02	Knife	1	SSteel 304
03	Packing gland	1	DI
04	Seat	1	NBR
05	Support	1	Steel
06	Retainer	1	SSteel 304
07	O-ring	1	NBR
08	Packing	1	PTFE
09	Yoke	1	Steel
10	Spindle	1	SSteel 303
11	Nut	1	Bronze
12	Tube	1	Steel
13	Cap	1	Plastic
14	Oil hole	1	Steel
15	Nut	1	Steel
16	Hand wheel	1	Steel
17	Washer	-	Bronze
18	Screw	-	SSteel 304

DN	A mm	B mm	C mm	D mm	F mm	V mm	K mm	Ø drilling	Qty. bolts	Nb. Smooth holes	Prof. Threaded holes	Weight Kg
50	40	92	63	289	124	200	410	125	4xM16	0	8	7
65	40	92	70	316	139	200	440	145	4xM16	0	8	8
80	50	92	92	342	154	200	460	160	4xM16	4	10	9
100	50	92	105	382	174	200	500	180	4xM16	4	10	10
125	50	102	120	415	192	250	585	210	4xM16	4	10	13
150	60	102	130	458	217	250	637	240	4xM20	4	12	16
200	60	120	160	575	270	300	815	295	4xM20	4	12	28
250	70	120	198	676	326	300	1016	350	8xM20	4	15	42
300	70	120	234	776	380	300	1116	400	8xM20	4	15	56
350	96	290	256	906	438	500	1336	460	10xM20	6	19	108
400	100	290	292	1012	493	500	1442	515	10xM24	6	20	130
450	106	290	308	1098	546	500	1628	565	14xM24	6	24	166
500	110	290	340	1210	620	500	1740	620	14xM24	6	24	203
600	110	290	400	1416	714	500	2046	725	14xM27	6	24	293
700	110	400	470	1650	830	800	2290	840	16xM27	8	20	440
800	110	400	505	1830	970	800	2680	950	16xM30	8	20	570
900	110	400	555	2075	1040	800	3020	1050	20xM30	8	20	740
1000	110	450	610	2260	1152	800	3400	1160	20xM33	8	20	920
1200	150	450	725	2460	1255	800	3980	1380	20xM36	12	30	1350

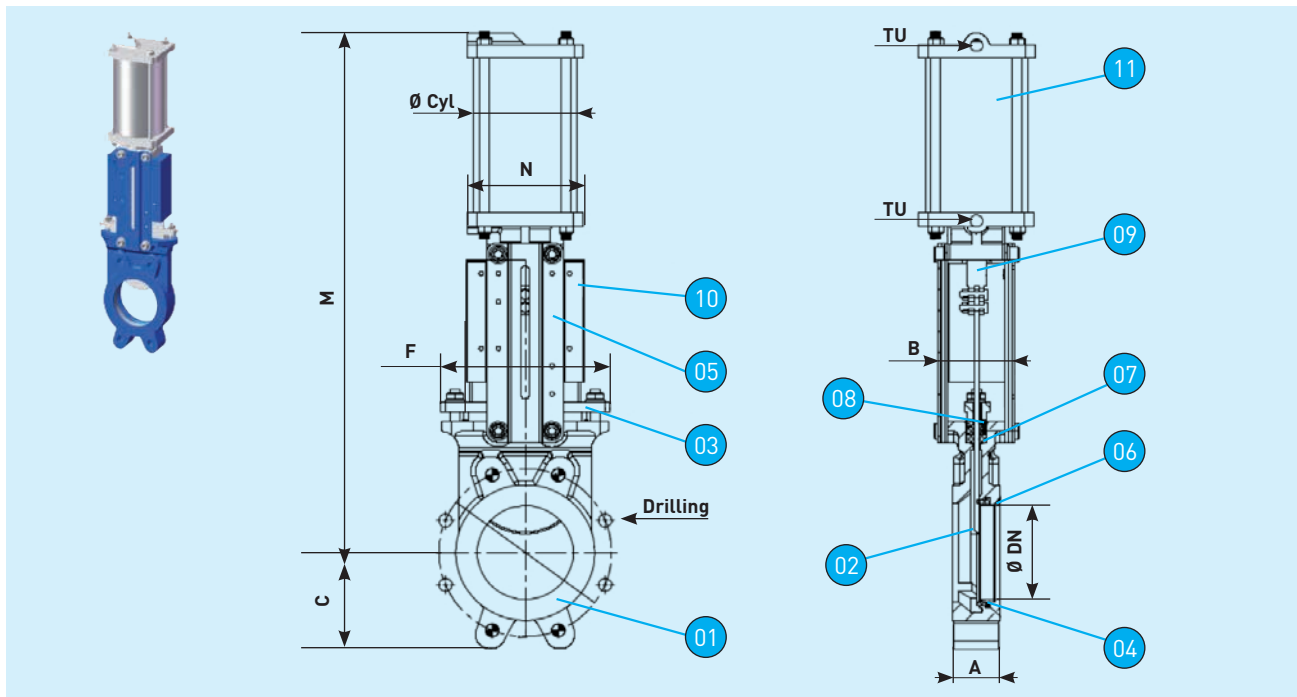
Operating by gearbox with hand wheel



Item	Designation	Qty	Material
01	Body	1	DI GG25
02	Knife	1	SSteel 304
03	Packing gland	1	DI
04	Seat	1	NBR
05	Support	1	Steel
06	Retainer	1	SSteel 304
07	O-ring	1	NBR
08	Packing	1	PTFE
09	Spindle	1	SSteel 303
10	Gear box	1	-

DN	A	B	C	W	T	U	Ø	Qty.	Prof.	Weight
	mm	mm	mm	mm	mm	mm	drilling	bolts	Smooth holes	Kg
50	40	92	63	340	490	195	125	4xM16	8	17
65	40	92	70	370	520	195	145	4xM16	8	18
80	50	92	92	390	540	195	160	8xM16	10	19
100	50	92	105	430	580	195	180	8xM16	10	20
125	50	102	120	465	620	195	210	8xM16	10	24
150	60	102	130	520	690	195	240	8xM20	12	26
200	60	120	160	620	910	195	295	8xM20	12	50
250	70	120	198	720	1020	195	350	16xM20	15	65
300	70	120	234	820	1110	195	400	16xM20	15	78
350	96	290	256	890	1280	220	460	20xM20	19	106
400	100	290	292	990	1390	220	515	20xM24	20	134
450	106	290	308	1080	1670	220	565	20xM24	24	175
500	110	290	340	1190	1780	220	620	20xM24	24	216
600	110	290	400	1400	1990	220	725	20xM27	24	285
700	110	400	470	1650	2340	260	840	24xM27	20	430
800	110	400	505	1860	2710	260	950	24xM30	20	615
900	110	400	555	2090	3080	290	1050	28xM30	20	768
1000	110	450	610	2140	3350	290	1160	28xM33	20	972
1200	150	450	725	2620	4040	290	1380	32xM36	30	1300

Operating by double acting pneumatic jack

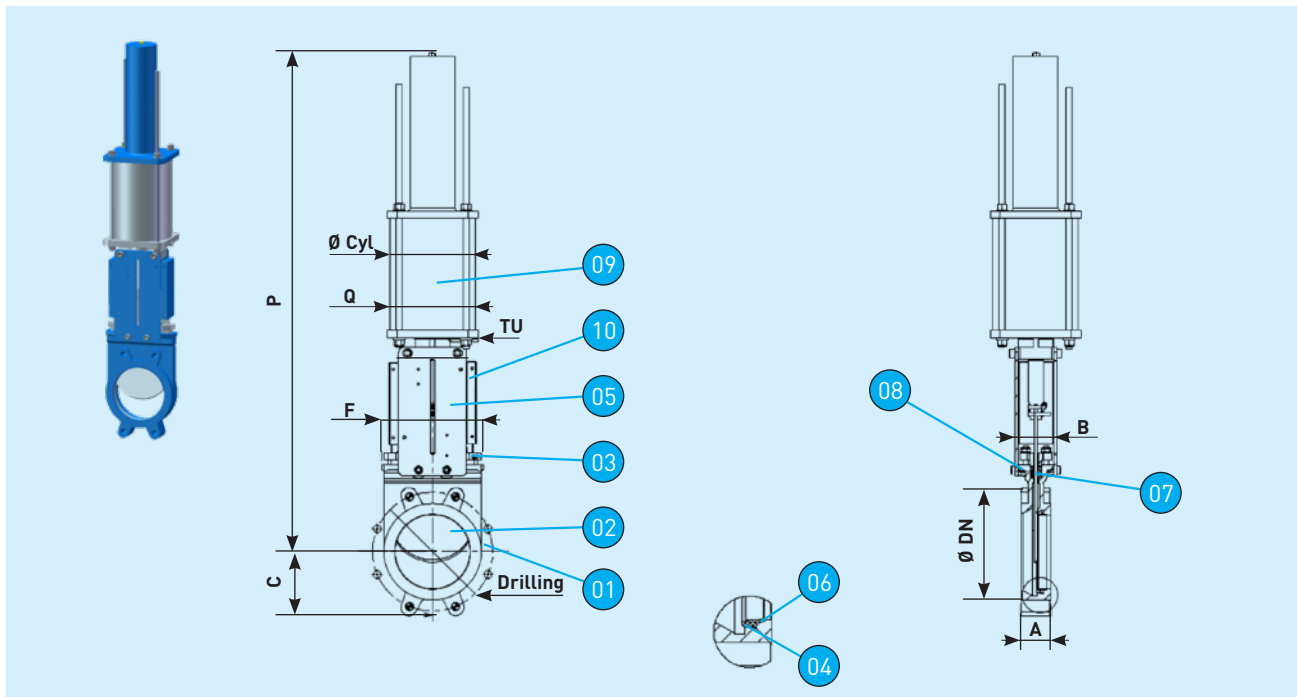


Item	Designation	Qty	Material
01	Body	1	DI GG25
02	Knife	1	SSteel 304
03	Packing gland	1	DI
04	Seat	1	NBR
05	Support	1	Steel
06	Retainer	1	SSteel 304
07	O-ring	1	NBR
08	Packing	1	PTFE
09	Spindle	1	SSteel 303
10	Holder protection	1	Steel
11	Jack	1	Aluminum

DN	A	B	C	F	M	ØCyl	N	TU	Ø	Qty.	Nb.	Prof. Threaded	Weight
	mm	mm	mm	mm	mm	DA	mm	Air Admission*	drilling	bolts	smooth holes	Holes	Kg
50	40	92	63	124	400	80	96	1/4"	125	4xM16	0	8	7
65	40	92	70	139	445	80	96	1/4"	145	4xM16	0	8	8
80	50	92	92	154	485	80	96	1/4"	160	4xM16	4	10	9
100	50	92	105	174	550	100	115	1/4"	180	4xM16	4	10	11
125	50	102	120	192	630	125	138	1/4"	210	4xM16	4	10	16
150	60	102	130	217	695	125	138	1/4"	240	4xM20	4	12	19
200	60	120	160	270	870	160	175	1/4"	295	4xM20	4	12	32
250	70	120	198	326	1035	200	218	3/8"	350	6xM20	6	15	51
300	70	120	234	380	1185	200	218	3/8"	400	6xM20	6	15	65
350	96	290	256	438	1380	250	270	3/8"	460	10xM20	6	19	122
400	100	290	292	493	1540	250	270	3/8"	515	10xM24	6	20	146
450	106	290	308	546	1680	320	382	1/2"	565	14xM24	6	24	185
500	110	290	340	620	1840	320	382	1/2"	620	14xM24	6	24	266
600	110	290	400	714	2145	320	382	1/2"	725	14xM27	6	24	358
700	110	400	470	830	2545	320	382	1/2"	840	16xM27	8	20	560
800	110	400	505	970	2850	320	382	1/2"	950	16xM30	8	20	680
900	110	400	555	1040	3175	320	382	1/2"	1050	20xM30	8	20	840
1000	110	450	610	1152	3400	320	382	3/4"	1160	20xM33	8	20	1050
1200	150	450	725	1255	3880	350	538	3/4"	1380	20xM36	12	30	1360

* Air admission hole threaded in the jack.

Operating by single acting pneumatic jack (normally closed)

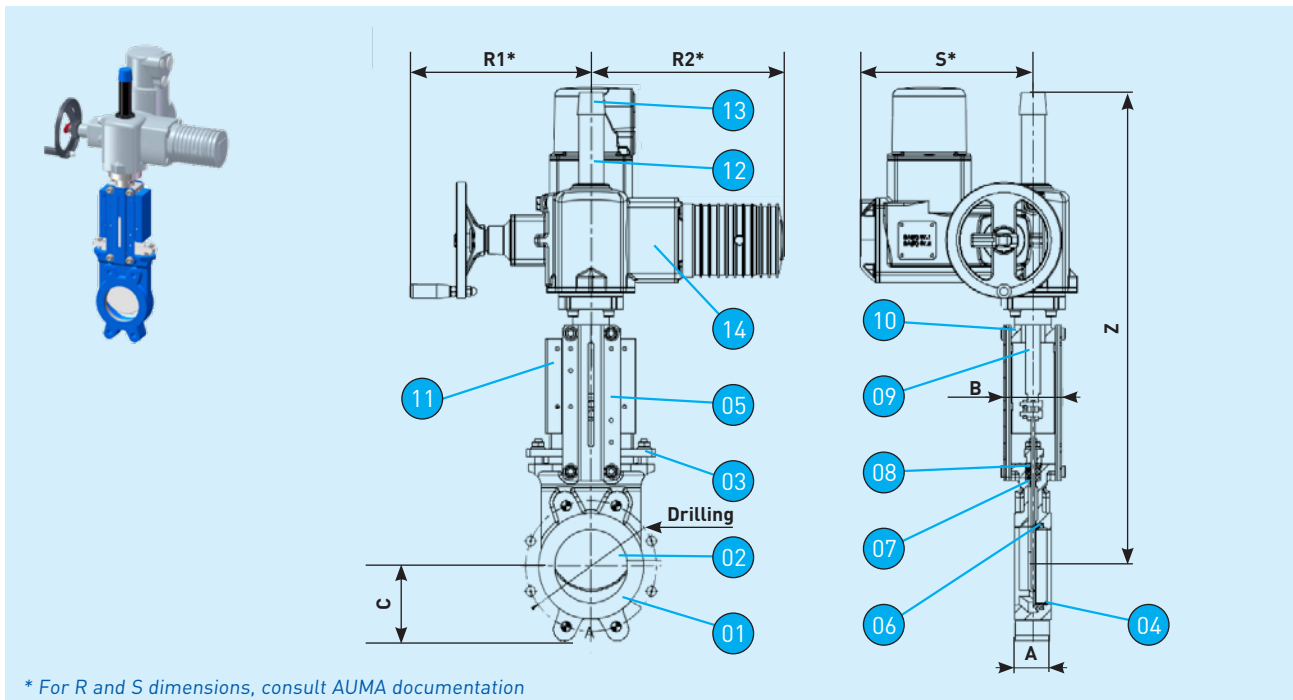


Item	Designation	Qty	Material
01	Body	1	DI GG25
02	Knife	1	SSteel 304
03	Packing gland	1	DI
04	Seat	1	NBR
05	Support	1	Steel
06	Retainer	1	SSteel 304
07	Packing	1	PTFE
08	O-ring	1	NBR
09	Jack	1	Aluminum
10	Support protection	1	Steel

DN	A	B	C	F	P	ØCyl	Q	TU	Ø	Qty.	Nb.	Depth	Weight
	mm	mm	mm	mm	mm	SA		Air Admission*	drilling	bolts	smooth holes		Kg
50	40	92	63	124	720	125	138	1/4"	125	4xM16	0	8	19
65	40	92	70	139	766	125	138	1/4"	145	4xM16	0	8	22
80	50	92	92	154	810	125	138	1/4"	160	4xM16	4	10	23
100	50	92	105	174	875	125	138	1/4"	180	4xM16	4	10	24
125	50	102	120	192	975	160	175	1/4"	210	4xM16	4	10	35
150	60	102	130	217	1066	160	175	1/4"	240	4xM20	4	12	36
200	60	120	160	270	1380	200	218	1/4"	295	4xM20	4	12	66
250	70	120	198	326	1792	250	280	3/8"	350	8xM20	4	15	98
300	70	120	234	380	1932	250	280	3/8"	400	8xM20	4	15	120

* Air admission hole threaded in.

Operating by electric actuator



Item	Designation	Qty	Material
01	Body	1	DI GG25
02	Knife	1	SSteel 304
03	Packing gland	1	DI
04	Retainer	1	SSteel 304
05	Support	1	Steel
06	Seat	1	NBR
07	Packing	1	PTFE
08	O-ring	1	NBR
09	Stem	1	SSteel 303
10	Bridge	1	Steel
11	Protection	1	Steel
12	Hood	1	Steel
13	Cap	-	Plastic
14	Actuator	-	-

DN	A mm	B mm	C mm	Z mm	Ø drilling	Qty. bolts	Nb. smooth holes	Size stem	Type AUMA	Weight kg
50	40	92	63	640	125	4xM16	0	20x4	SA 07.2	7
65	40	92	70	670	145	4xM16	0	20x4	SA 07.2	8
80	50	92	92	695	160	4xM16	4	20x4	SA 07.2	9
100	50	92	105	755	180	4xM16	4	20x4	SA 07.2	12
125	50	102	120	810	210	4xM16	4	20x4	SA 07.6	15
150	60	102	130	870	240	4xM20	4	20x4	SA 07.6	20
200	60	120	160	1010	295	4xM20	4	25x5	SA 07.6	31
250	70	120	198	1125	350	8xM20	4	25x5	SA 07.6	44
300	70	120	234	1280	400	8xM20	4	25x5	SA 07.6	62
350	96	290	256	1410	460	10xM20	6	35x6	SA 10.2	100
400	100	290	292	1560	515	10xM24	6	35x6	SA 10.2	138
450	106	290	308	1730	565	14xM24	6	35x6	SA 14.2	161
500	110	290	340	1896	620	14xM24	6	35x6	SA 10.2	223
600	110	290	400	2124	725	14xM27	6	35x6	SA 10.2	325
700	110	400	470	2450	840	16xM27	8	50x8	SA 14.6	481
750	144	400	495	2560	914	16xM30	12	50x8	SA 14.6	
800	110	400	505	2670	950	16xM30	8	50x8	SA 14.6	678
900	110	400	555	3000	1050	20xM30	8	50x8	SA 14.6	861
1000	110	450	610	3180	1160	20xM33	8	50x8	SA 14.6	1103
1200	150	450	725	4050	1380	20xM36	12	60x9	SA 16.2	1430

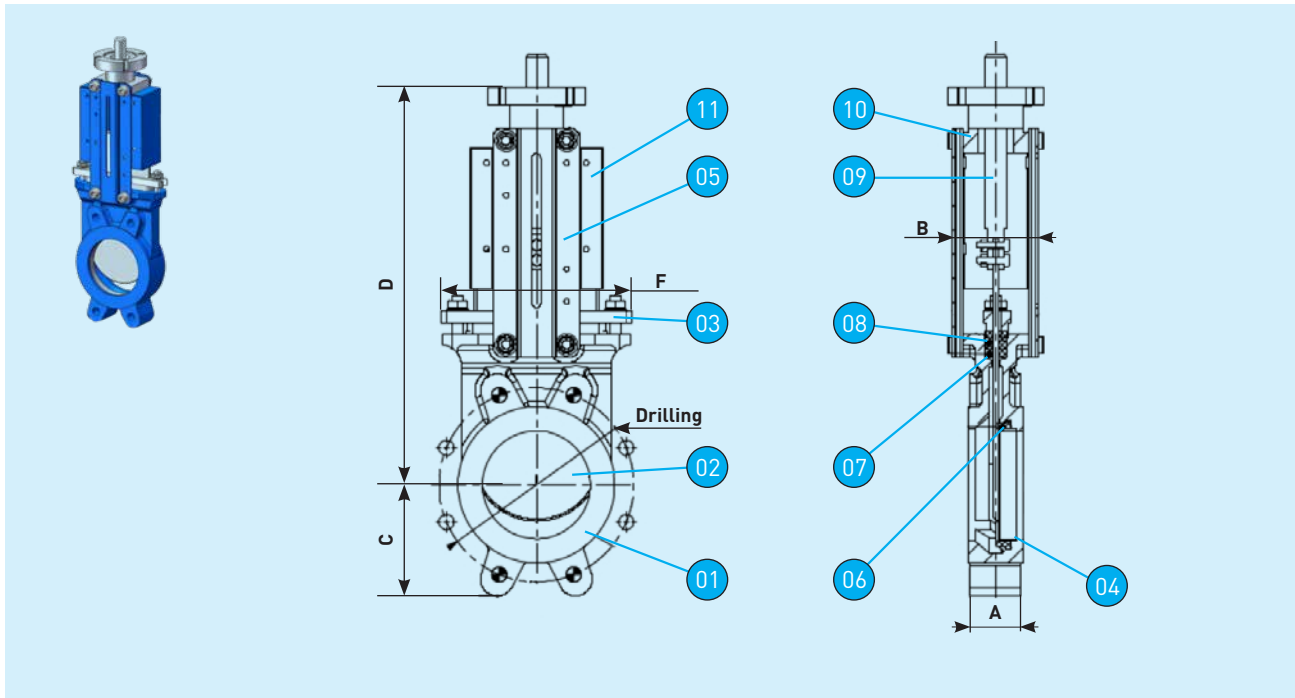
Standard electric actuator features

- On/off duty actuator AUMA type SA.
- Power 380/400 V – Three-phase 50 Hz.
- Speed 45 rotation/minute.
- A shaped base
- Self-regulating heating resistor from 3 to 15 watts (60-250 volts).
- IP 68 Protection.
- Opening/closing torque limiting sensors.
- Opening/closing limit switches.
- Intermittent duty S2-15mn according to VDE 0530 standard.
- Working temperature: -25°C to +80°C.
- Coating type KS.
- Security hand controller declutchable by push button with electric priority.

Possible options on actuator

- Auma-Matic (AM), Aumatic (AC).
- Additional limit switches.
- Other power voltages.
- Other operating speeds.
- Position indicator 4/20 mA 4 wires.
- Blast protection.
- Regulating actuator (SAR).

Prepared for motorization with ISO connector



Item	Designation	Qty	Material
01	Body	1	Fonte GG25
02	Knife	1	SSteel 304
03	Packing gland	1	Fonte ductile
04	Seat	1	NBR
05	Support	1	Steel
06	Retainer	1	SSteel 304
07	O-ring	1	NBR
08	Packing	1	PTFE
09	Stem	1	SSteel 303
10	ISO connector	1	Steel

DN	A mm	B mm	C mm	F mm	D mm	∅ drilling	Qty. bolts	Nb. smooth holes	Size
50	40	92	63	124	289	125	4xM16	0	8
65	40	92	70	139	316	145	4xM16	0	8
80	50	92	92	154	342	160	4xM16	4	10
100	50	92	105	174	382	180	4xM16	4	10
125	50	102	120	192	415	210	4xM16	4	10
150	60	102	130	217	458	240	4xM20	4	12
200	60	120	160	270	575	295	4xM20	4	12
250	70	120	198	326	676	350	8xM20	4	15
300	70	120	234	380	776	400	8xM20	4	15
350	96	290	256	438	906	460	10xM20	6	19
400	100	290	292	493	1012	515	10xM24	6	20
450	106	290	308	546	1098	565	14xM24	6	24
500	110	290	340	620	1210	620	14xM24	6	24
600	110	290	400	714	1416	725	14xM27	6	24
700	110	400	470	830	1650	840	16xM27	8	20
800	110	400	505	970	1830	950	16xM30	8	20
900	110	400	555	1040	2075	1050	20xM30	8	20
1000	110	450	610	1152	2260	1160	20xM33	8	20
1200	150	450	725	1255	2460	1380	20xM36	12	30

Your Choice in Waterflow Control



TALIS is the undisputed Number One for water transport and water flow control. TALIS has the best solutions available in the fields of water and energy management as well as for industrial and communal applications. We have numerous products for comprehensive solutions for the whole water cycle - from hydrants, butterfly valves and knife gate valves through to needle valves. Our experience, innovative technology, global expertise and individual consultation processes form the basis for developing long-term solutions for the efficient treatment of the vitally important resource "water".



BAYARD

ZI - 4 avenue Lionel Terray
CS 70047

69881 Meyzieu cedex France

TEL. + 33 (0)4 37 44 24 24

FAX + 33 (0)4 37 44 24 25

WEBSITE : www.bayard.fr

Specifications and performance may be changed without notice as a result of technical developments. Images and photos given for illustration purposes only.

